

1

2

3

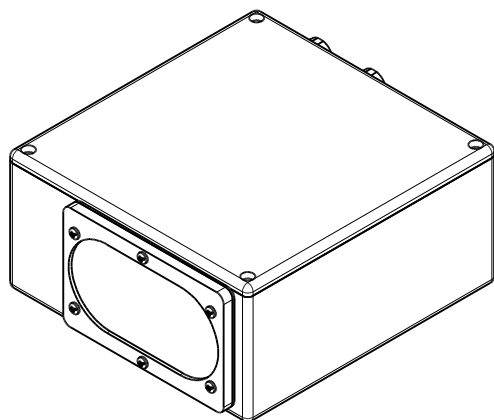
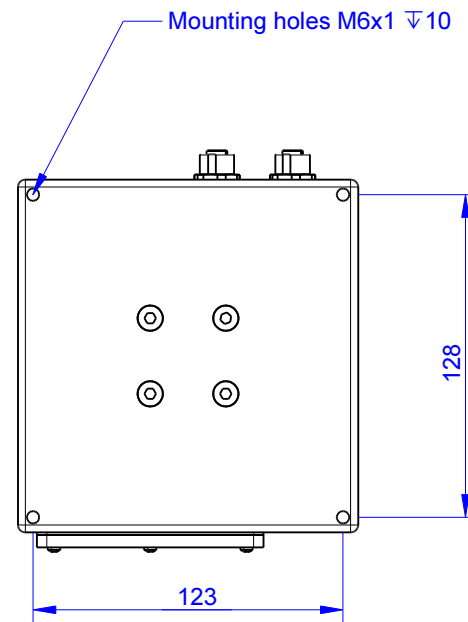
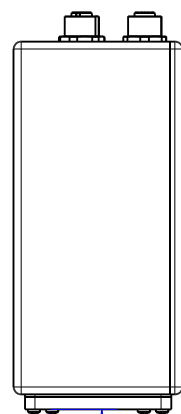
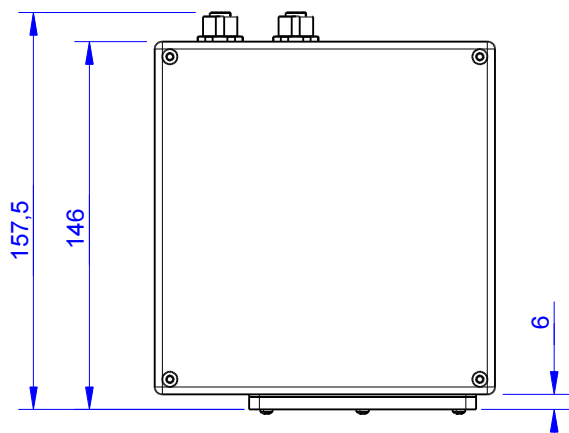
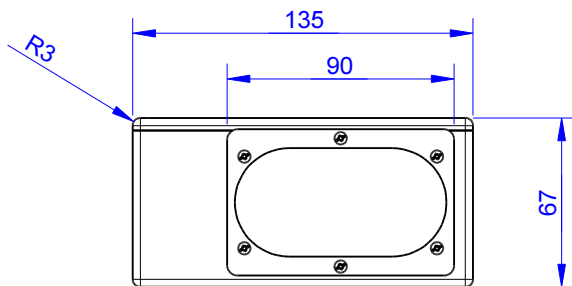
4

5

6

RevNo	Revision note	Date	Signature	Checked
-------	---------------	------	-----------	---------

**VLM502 - O (Gauge head)**  
**The gauge head only works in connection with the VLM502 - E evaluation unit.**



Drawn by <b>mwe</b>	File name z:\... Design\VLM502\VLM502 O - Alublock.AD_DRW	Article No. _	
Checked by <b>bod</b>	Material: <b>AW 6060</b>	Tolerance $\pm 0,1$	Date <b>19.12.2016</b>
Approved by <b>mir</b>	Surface: <b>sw. eloxiert / black anodized</b>		



ASTECH GmbH  
 Schonenfaherstr. 5  
 18057 Rostock  
 Tel. 0381-44073-0

**VLM502 - O**

Dimension <b>mm</b>	Scale <b>1:3</b>	Mass raw	Mass item	Edition <b>A</b>	Sheet <b>1/1</b>
---------------------	------------------	----------	-----------	------------------	------------------

1

2

3

4

5

6